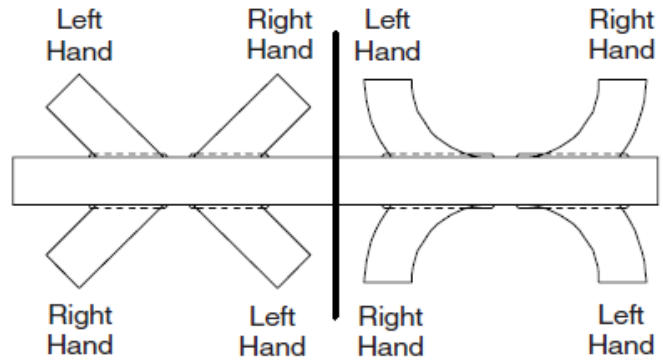


GRAVITY SPUR QUOTATION WORKSHEET

Company _____ Date _____
 Contact _____ Quote Due _____ Desired Delivery _____
 Phone No. _____ Contact Email _____ State _____
 Omni Sales Contact _____ Quote #: _____
 Quantity _____

Product Specs:

Max:
 - Width (inches): _____ Length (inches): _____
 - Height (inches): _____ Weight (lbs): _____
 Min:
 - Width (inches): _____ Length (inches): _____
 - Height (inches): _____ Weight (lbs): _____
 Description: _____
 Max. Qty.: _____ Total Live Load: _____
 Temperature
 -Environment: _____
 -Product: _____



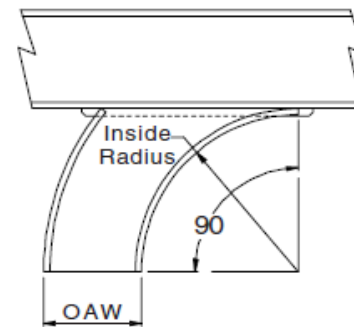
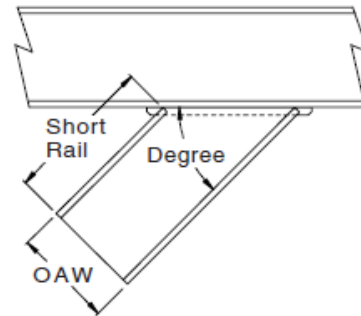
Conveyor Construction:

Spur Hand: _____
 Spur Degree: _____
 Short Rail/Inside Radius: _____
 Overall Width (OAW): _____
 Wheel/Roller Height: _____
 Wheel/Roller Centers C/C: _____

- Side Frames Structural Formed
- Welded
 Painted Powder Coated
 Epoxy Painted
 Color / RAL: _____
 Stainless Steel
- Bolt-Together
 Painted Powder Coated
 Color RAL: _____
 Galvanized Stainless Steel
 Aluminum

Roller Options:

- Roller Number: _____
 Diameter: _____
 Axle Size: _____
- Skatewheel Number:
 Wheel Type: _____
 Wheels per Foot (WPF): _____



Leg Support: Qty: _____
 Pivot Top Rigid Top
 Upright Size: _____
 TOR _____ TOL _____ +/- _____

Other: _____

Approval Drawing Required: Yes No